

## T-Grooved Surface Plates for Compression Tests and Tension-Compression Tests

Surface plates are accessories used to test large specimens and finished objects. T-grooves enable the addition of various vices and grips to surface plates, which create flexibility in how specimens are oriented for testing. T-grooved surface plates attach directly to the table of the universal tester.

T-grooved surface plates with sizes up to 500 mm (19.7 in) by 500 mm are compatible with standard AG-X plus series and AGS-X series models. The larger 900 mm (35.4 in) by 900 mm T-grooved surface plates are for extended width AG-X plus series floor models with a width of 975 mm (38.4 in).

Surface plates are characterized further according to their applicability for tension-compression testing or compression only testing and, finally, with which capacity universal tester model they are compatible. The applicable temperature range for T-grooved surface plates is 0°C to 40°C (32°F to 104°F).

Important parameters to consider when choosing a T-grooved surface plate are the overall length of the plate ( $L$ ) and the interval between grooves ( $L_1$ ). Together, these parameters determine the number of grooves along the length of the plate in both the horizontal and vertical directions.

***T-grooved surface plates for compression tests and tension-compression tests cannot be installed on universal testers with safety covers attached.***

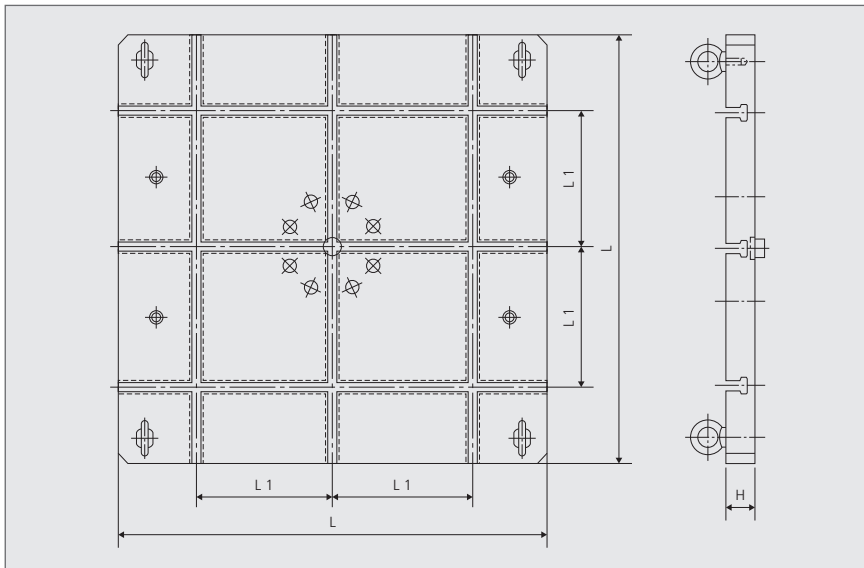
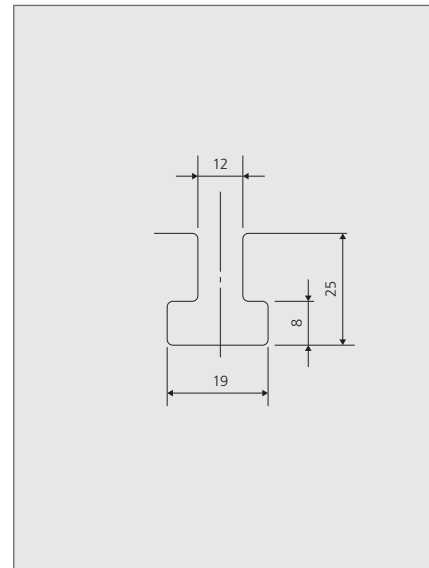


Plate Dimension



Groove Dimension

# Specifications and Ordering Information

P/N	Applicable Capacity Model	Maximum Capacity			Plate Size			Number of Grooves Vertical / Horizontal (Total)	Interval Between Grooves	Plate Mass
					Length	Width	Thickness			
		kN	kgf	mm (in)	mm (in)	mm (in)	mm (in)		mm (in)	kg (lb)
<b>T-Grooved Surface Plates for AG-X Plus Series Standard Models for Tension-Compression Testing</b>										
346-51548-01	300 kN and 250 kN floor models	250	25,000	55,000	500 (19.7)	500 (19.7)	50 (2.0)	3 / 3 (6)	160 (6.3)	100 (220)
346-51548-02	100 kN floor model	100	10,000	22,000	500 (19.7)	500 (19.7)	45 (1.8)	3 / 3 (6)	160 (6.3)	90 (198)
346-51548-03	50 kN floor model	50	5,000	11,000	500 (19.7)	500 (19.7)	40 (1.6)	3 / 3 (6)	160 (6.3)	80 (176)
346-51548-04	20 kN floor model	20	2,000	4,400	500 (19.7)	500 (19.7)	40 (1.6)	3 / 3 (6)	160 (6.3)	80 (176)
346-51548-08	50 kN tabletop model	50	5,000	11,000	400 (15.7)	400 (15.7)	40 (1.6)	3 / 3 (6)	125 (4.9)	50 (110)
346-51548-07	20 kN tabletop model	20	2,000	4,400	400 (15.7)	400 (15.7)	40 (1.6)	3 / 3 (6)	125 (4.9)	50 (110)
346-51548-05	10 kN tabletop model	10	1,000	2,200	350 (13.8)	350 (13.8)	35 (1.4)	3 / 3 (6)	125 (4.9)	33 (73)
<b>T-Grooved Surface Plates for AGS-X Series Standard Models for Tension-Compression Testing</b>										
346-51548-06	10 kN tabletop model	10	1,000	2,200	350 (13.8)	350 (13.8)	35 (1.4)	3 / 3 (6)	125 (4.9)	33 (73)
<b>T-Grooved Surface Plates for AG-X Plus Series Extended Width Models for Tension-Compression Testing</b>										
346-51221-03	300 kN and 250 kN floor models	250	25,000	55,000	900 (35.4)	900 (35.4)	75 (3.0)	5 / 5 (10)	160 (6.3)	500 (1102)
346-51221-02	100 kN floor model	100	10,000	22,000	900 (35.4)	900 (35.4)	60 (2.4)	5 / 5 (10)	160 (6.3)	400 (882)
346-51221-01	50 kN and 20 kN floor model	50	5,000	11,000	900 (35.4)	900 (35.4)	45 (1.8)	5 / 5 (10)	160 (6.3)	300 (661)
346-51221-23	300 kN and 250 kN floor models	250	25,000	55,000	900 (35.4)	900 (35.4)	75 (3.0)	3 / 3 (6)	320 (12.6)	500 (1102)
346-51221-22	100 kN floor model	100	10,000	22,000	900 (35.4)	900 (35.4)	60 (2.4)	3 / 3 (6)	320 (12.6)	400 (882)
346-51221-21	50 kN and 20 kN floor model	50	5,000	11,000	900 (35.4)	900 (35.4)	45 (1.8)	3 / 3 (6)	320 (12.6)	300 (661)
346-51221-13	300 kN and 250 kN floor models	250	25,000	55,000	900 (35.4)	900 (35.4)	75 (3.0)	5 / 0 (5)	160 (6.3)	500 (1102)
346-51221-12	100 kN floor model	100	10,000	22,000	900 (35.4)	900 (35.4)	60 (2.4)	5 / 0 (5)	160 (6.3)	400 (882)
346-51221-11	50 kN and 20 kN floor model	50	5,000	11,000	900 (35.4)	900 (35.4)	45 (1.8)	5 / 0 (5)	160 (6.3)	300 (661)
346-51221-33	300 kN and 250 kN floor models	250	25,000	55,000	900 (35.4)	900 (35.4)	75 (3.0)	3 / 0 (3)	320 (12.6)	500 (1102)
346-51221-32	100 kN floor model	100	10,000	22,000	900 (35.4)	900 (35.4)	60 (2.4)	3 / 0 (3)	320 (12.6)	400 (882)
346-51221-31	50 kN and 20 kN floor model	50	5,000	11,000	900 (35.4)	900 (35.4)	45 (1.8)	3 / 0 (3)	320 (12.6)	300 (661)
<b>T-Grooved Surface Plates for AG-X Plus Series Extended Width Models for Compression Testing</b>										
346-51220-03	300 kN and 250 kN floor models	250	25,000	55,000	900 (35.4)	900 (35.4)	75 (3.0)	5 / 5 (10)	160 (6.3)	450 (992)

346-51220-02	100 kN floor model	100	10,000	22,000	900 (35.4)	900 (35.4)	60 (2.4)	5 / 5 (10)	160 (6.3)	360 (794)
346-51220-01	50 kN and 20 kN floor model	50	5,000	11,000	900 (35.4)	900 (35.4)	45 (1.8)	5 / 5 (10)	160 (6.3)	260 (573)
346-51220-23	300 kN and 250 kN floor models	250	25,000	55,000	900 (35.4)	900 (35.4)	75 (3.0)	3 / 3 (6)	320 (12.6)	450 (992)
346-51220-22	100 kN floor model	100	10,000	22,000	900 (35.4)	900 (35.4)	60 (2.4)	3 / 3 (6)	320 (12.6)	360 (794)
346-51220-21	50 kN and 20 kN floor model	50	5,000	11,000	900 (35.4)	900 (35.4)	45 (1.8)	3 / 3 (6)	320 (12.6)	260 (573)
346-51220-13	300 kN and 250 kN floor models	250	25,000	55,000	900 (35.4)	900 (35.4)	75 (3.0)	5 / 0 (5)	160 (6.3)	450 (992)
346-51220-12	100 kN floor model	100	10,000	22,000	900 (35.4)	900 (35.4)	60 (2.4)	5 / 0 (5)	160 (6.3)	360 (794)
346-51220-11	50 kN and 20 kN floor model	50	5,000	11,000	900 (35.4)	900 (35.4)	45 (1.8)	5 / 0 (5)	160 (6.3)	260 (573)
346-51220-33	300 kN and 250 kN floor models	250	25,000	55,000	900 (35.4)	900 (35.4)	75 (3.0)	3 / 0 (3)	320 (12.6)	450 (992)
346-51220-32	100 kN floor model	100	10,000	22,000	900 (35.4)	900 (35.4)	60 (2.4)	3 / 0 (3)	320 (12.6)	360 (794)
346-51220-31	50 kN and 20 kN floor model	50	5,000	11,000	900 (35.4)	900 (35.4)	45 (1.8)	3 / 0 (3)	320 (12.6)	260 (573)



Company names, product/service names and logos used in this publication are trademarks and trade names of Shimadzu Corporation or its affiliates, whether or not they are used with trademark symbol "TM" or "®". Third-party trademarks and trade names may be used in this publication to refer to either the entities or their products/services. Shimadzu disclaims any proprietary interest in trademarks and trade names other than its own.

For Research Use Only. Not for use in diagnostic procedures. The contents of this publication are provided to you "as is" without warranty of any kind, and are subject to change without notice. Shimadzu does not assume any responsibility or liability for any damage, whether direct or indirect, relating to the use of this publication.