

Cooling incubators



KB | KB ECO | KT series





BINDER

Temperature: 25.0 25.0

Volume: 100.0

Start/Stop

Temp. Up

Temp. Down

Volume Up

Volume Down

Power

Lock

Unlock

Open

Close

Print

Help

Exit

Back

Home

Menu

Settings

Factory

Reset

Calibrate

Test

Diagnose

Support

Manual

FAQ

Contact

Feedback

Logout

Admin

Users

Groups

Roles

Permissions

Settings

System

Logs

Help

Cooling incubators

Series KB	Page 6
Series KT	Page 12
Series KB ECO	Page 17

BINDER incubators are gentle on samples and provide high-quality performance. Every KB series cooling incubator thus makes safe, reproducible incubation possible, even at high ambient temperatures. Together with the efficient weekly program function, cooling incubators from BINDER are truly versatile in laboratory work with microorganisms. The KB ECO series combines exceptional performance with low energy consumption. Additionally, every BINDER incubator offers true added value with its exemplary environmental friendliness.

PRODUCT SELECTION COOLING INCUBATORS

Features	Series KB › Page 6	Series KT › Page 12	Series KB ECO › Page 17
Model			
Model 53	•	•	–
Model 115	•	•	–
Model 170	–	•	–
Model 240	•	–	•
Model 400	•	–	•
Model 720	•	–	•
Model 1020	–	–	•
General data			
Temperature range [°C]	-10...100	4...100	–
Temperature range (max. 28 °C under ambient temperature) [°C]	–	–	0...70
Temperature range (max. 26 °C under ambient temperature) [°C]	–	–	0...70

•Standard equipment

ADVANTAGES AT A GLANCE



SAFE

Series KB, KT

Convenient decontamination of the high-quality stainless steel interior with hot 100 °C air.



RELIABLE

Series KB, KT, KB ECO

Reliable reproducibility, even when fully loaded, due to horizontal air flow from both sides.



SMART

Series KB ECO

Long incubations without drying out and condensation-free operation due to unique protection against drying out and condensation.



COST-EFFECTIVE

Series KT, KB ECO

Exemplary environmental performance thanks to maximum energy efficiency and avoidance of climate-damaging refrigerants.

Series KB | with powerful compressor cooling

The powerful virtuoso in cooling incubators for microorganisms: the KB masters temperature ranges from -10 °C to 100 °C. The new KB series consumes up to 30% less energy compared to its predecessor. With its extensive programming options and homogenous incubation conditions even when fully loaded, this cooling incubator covers a wide range of applications.



KB 53 model

BENEFITS

- Safe, reproducible incubation, even at high ambient temperatures
- Disinfection routine at +100 °C
- Up to 30% lower energy consumption compared to the previous model

MAIN FEATURES

- Temperature range: -10 °C to +100 °C
- APT.line™ preheating chamber technology
- Up to 30% lower energy consumption compared to the previous model
- Cooling with compressor cooling unit
- Door heating system from 240 liters
- Adjustable fan speed
- Controller with time-segment and real-time programming
- Inner door made of tempered safety glass
- 2 stainless steel racks
- Units up to 115 liters are stackable

AVAILABLE SIZES

Model	Interior volume [L]	Online data sheets
KB 53	53	› go2binder.com/en-KB53
KB 115	115	› go2binder.com/en-KB115
KB 240	247	› go2binder.com/en-KB240
KB 400	400	› go2binder.com/en-KB400
KB 720	698	› go2binder.com/en-KB720

OPTIONAL EQUIPMENT

LED light bar sets

LED light bars in three different lengths (30, 50, 90 cm) can be easily and variably positioned in the BINDER unit, including various attachment options and control unit. Additional light bars can be added as desired.



Access port with silicone plug

For introducing external measuring instruments. Large selection of different diameters and positions (left, right, or top)



Door lock

Lockable door handle prevents unauthorized access.



Services

You can access our installation, maintenance, calibration, validation, or warranty services by taking out a Maintenance Service Agreement or by simply getting in touch when you need us. More information is available in the accessories and services chapter.



BINDER INDIVIDUAL

Using a BINDER series production product as a basis, we develop individual solutions as a single unit or in small batches. All products are tested, certified, and supplied with a full functional guarantee and warranty. More information is available in the accessories and services chapter.



► All extras online go2binder.com/en-options

TECHNICAL DATA

Description	KB 53	KB 115	KB 240	KB 400	KB 720
Measures					
Interior volume [L]	53	115	247	400	698
Net weight of the unit (empty) [kg]	78	106	171	221	309
Permitted load [kg]	40	50	100	120	150
Load per rack [kg]	15	20	30	30	45
Wall clearance back [mm]	100	100	100	100	100
Wall clearance sidewise [mm]	100	100	100	100	100
Internal Dimensions					
Innenraum Breite [mm]	400	600	650	650	970
Innenraum Höhe [mm]	400	480	785	1270	1250
Innenraum Tiefe [mm]	330	400	485	485	576
Housing dimensions not incl. fittings and connections					
Width net [mm]	635	835	925	925	1250
Height net [mm]	835	1025	1465	1950	1925
Depth net [mm]	580	650	800	805	885
Performance Data Temperature					
Temperature range [°C]	-10...100	-10...100	-10...100	-10...100	-10...100
Temperature variation at 37 °C [± K]	0.2	0.2	0.2	0.2	0.2
Temperature fluctuation at 37 °C [± K]	0.1	0.1	0.1	0.1	0.1
Recovery time after 30 seconds door open at 37 °C [min]	2	2	2	4	3
Electrical data					
Nominal power (version 120 V) [kW]	0.6	0.7	1.2	1.4	–
Nominal power (version 230 V) [kW]	0.6	0.7	1.2	1.4	2.3
Nominal power (version 240 V) [kW]	–	–	–	–	2.3
Fixtures					
Number of shelves (std./max.)	2/4	2/5	2/9	2/15	2/15

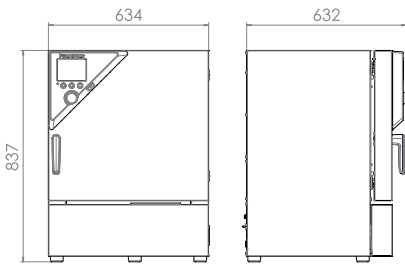
ORDERING INFORMATION [Art. No.]

Further details: Go to www.binder-world.com > Search > Enter Article Number

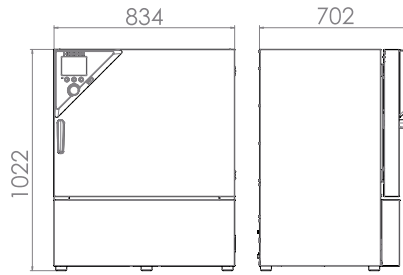
Voltage	Option model	KB 53	KB 115	KB 240	KB 400	KB 720
230 V 1~ 50 Hz	Standard	9020-0199	9020-0397	–	–	–
200...230 V 1~ 50/60 Hz	Standard	–	–	9020-0202	–	9020-0204
200...240 V 1~ 50/60 Hz	Standard	–	–	–	9020-0203	9020-0306
120 V 1~ 60 Hz	Standard	9020-0302	9020-0398	–	–	–
100...120 V 1~ 60 Hz	Standard	–	–	9020-0304	9020-0305	–

DIMENSIONS incl. fittings and connections [mm]

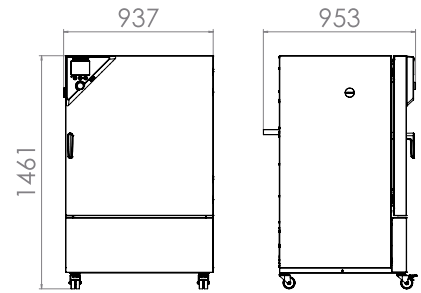
KB 53



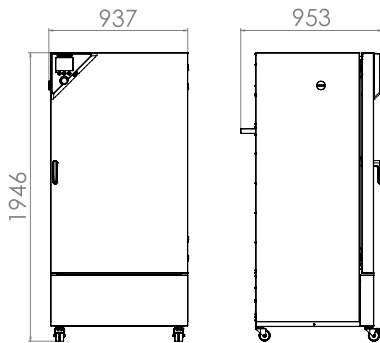
KB 115



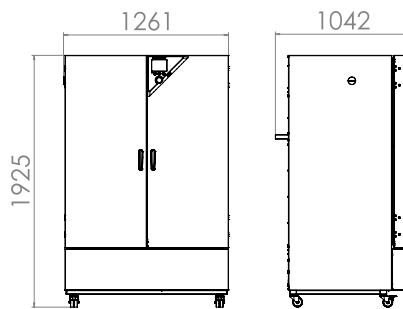
KB 240



KB 400



KB 720



ORDERING INFORMATION OPTIONS

Designation	Description	KB	KB	KB	KB	KB	Art. No.
		53	115	240	400	720	
Access port with silicone plug	back						
	10 mm	•	•	-	-	-	8012-0395
	30 mm	•	•	-	-	-	8012-1292
	50 mm	•	•	-	-	-	8012-1294
	left						
	10 mm	•	•	-	-	-	8012-0393
	30 mm	•	•	-	-	-	8012-1157
	50 mm	-	-	•	•	•	8012-0648
	right						
	10 mm	•	•	-	-	-	8012-0392
	30 mm	•	•	-	-	-	8012-1154
	50 mm	-	-	•	•	•	8012-0647
	top						
	10 mm	•	•	-	-	-	8012-0391
	30 mm	•	•	-	-	-	8012-1151
	50 mm	-	-	•	•	•	8012-0649
	100 mm	•	•	-	-	-	8012-1160
		-	-	•	•	•	8012-0650
		•	•	-	-	-	8012-1167
		-	-	•	•	•	8012-0651

Designation	Description	KB 53	KB 115	KB 240	KB 400	KB 720	Art. No.
Alarm output, zero-voltage	for temperature (± 2 °C), accessible via 6-pin DIN socket (max. 24 V - 2.5 A), with audible signal that can be switched off	•	•	–	–	–	8012-1082
		–	–	•	•	•	8012-1083
Calibration certificate, expanded	for temperature; for extending the measurement in center of chamber to include another test temperature	•	•	•	•	•	8012-1120
Calibration certificate, temperature	for temperature, measurement in center of chamber at specified temperature	•	•	•	•	•	8012-1139
	temperature measurement incl. certificate and 27 measuring points at specified temperature	•	•	•	•	•	8012-1598
	temperature measurement incl. certificate, 15- 18 measuring points at specified temperature	•	•	•	•	•	8012-1577
	temperature measurement incl. certificate, 9 measuring points at specified temperature	•	•	•	•	•	8012-1556
Class 3.3 independent temperature safety device	with visual alarm (DIN 12880)	•	•	–	–	–	8012-1080
		–	–	•	•	•	8012-1081
Door lock	lockable door handle	•	•	–	–	–	8012-1773
		–	–	•	•	–	8012-1774
		–	–	–	–	•	8012-1777
Pt 100 temperature sensor	additional flexible Pt 100, interior, for displaying the temperature on the unit display	•	•	–	–	–	8012-1078
		–	–	•	•	•	8012-1079
Shelf, reinforced	positioned at bottom level, max. load 45 kg, with additional attachment for operation of shaking device, stirring device or roller bottle system	•	–	–	–	–	8012-0287
		–	•	–	–	–	8012-0288
		–	–	•	•	–	8012-0639
		–	–	–	–	•	8012-0673

ORDERING INFORMATION ACCESSORIES

Designation	Description	KB 53	KB 115	KB 240	KB 400	KB 720	Art. No.
APT-COM™ 4 BASIC-Edition	for simple logging and documentation requirements with up to 5 networked units.						
	version 4, BASIC edition	•	•	•	•	•	9053-0039
APT-COM™ 4 GLP-Edition	for working under GLP-compliant conditions. Measured values are documented in a tamper-proof way in line with the requirements of FDA Regulation 21 CFR 11.						
	version 4, GLP edition	•	•	•	•	•	9053-0042
APT-COM™ 4 PROFESSIONAL-Edition	convenient unit and user management built on the BASIC edition. Suitable for networking up to 100 units.						
	version 4, PROFESSIONAL edition	•	•	•	•	•	9053-0040
LED light bars	Basic set consisting of 2 pieces, attachment material, control unit for max. 4 light strips, 100-240 V, 50/60 Hz						
	Basic set 300, length 30 cm	•	•	•	•	•	8012-1107
	Basic set 500, length 50 cm	–	•	•	•	•	8012-1108
	Basic set 900, length 90 cm	–	–	–	•	•	8012-1109
	Expansion set consisting of 2 pieces, attachment material: clips. For expanding the basic set of light bars						
	Expansion set 300, length 30 cm	•	•	•	•	•	8012-1716
Expansion set 500, length 50 cm	–	•	•	•	•	8012-1717	
Expansion set 900, length 90 cm	–	–	–	•	•	8012-1718	
pH-neutral detergent	concentrated, for gentle remove of residual contaminants; 1 kg	•	•	•	•	•	8012-2250

Designation	Description	KB 53	KB 115	KB 240	KB 400	KB 720	Art. No.
Qualification documents	IQ/OQ documents – supporting documents for validation performed by customers, consisting of: IQ/OQ checklists incl. calibration guide and comprehensive unit documentation; parameters: temperature, CO ₂ , O ₂ , pressure, depending on unit						
	Digital in PDF format	•	•	•	•	•	7057-0001
	Hard copy inside folder	•	•	•	•	•	7007-0001
	IQ/OQ/PQ documents – supporting documents for validation performed by customers, according to customer requirements, PQ section added to qualification folder IQ/OQ; parameters: temperature, CO ₂ , O ₂ – or pressure, depending on unit						
	Digital in PDF format	•	•	•	•	•	7057-0005
	Hard copy inside folder	•	•	•	•	•	7007-0005
Rack	stainless steel	•	–	–	–	–	8012-2047
		–	•	–	–	–	8012-2048
		–	–	•	•	–	8012-2050
		–	–	–	–	•	8012-2051
Rack accessories	fasteners (1 set of 4) for additional security of racks	•	•	–	–	–	8012-0531
		–	–	•	•	•	8012-2280
Rack, reinforced	stainless steel, with fasteners (1 set of 4)	–	•	–	–	–	8012-0700
		–	–	•	•	–	8012-0638
		–	–	–	–	•	8012-0674
Rubber pads	set anti-slip feet	•	•	•	–	–	8012-2030
Shelf, perforated	Stainless steel	•	–	–	–	–	8012-2083
		–	•	–	–	–	8012-2161
		–	–	•	–	–	8012-2163
		–	–	–	–	•	8012-2252
Table on castors	stable cart, casters with locking brakes, dimensions: W 1,000 x D 800 x H 780 mm	•	•	–	–	–	9051-0018
WLAN kit	The kit contains a client bridge that establishes a wireless connection between BINDER units and APT-COM4, LIMS, or customer-specific software via an Ethernet interface. It provides an alternative solution in situations where units need to be positioned in locations without an on-site Ethernet connection. In secured networks, installation and configuration must be performed by the customer's IT service.	•	•	•	•	•	8012-2262

Series KT | with Peltier technology

The KT series combines outstanding performance with impressive energy efficiency and environmental friendliness. The cooled incubators of the KT series are state-of-the-art in application and protect the samples.



KT 115 model

BENEFITS

- Safe and reproducible incubation conditions even at high environmental conditions
- Hot air disinfection at 100 °C
- Energy efficient, environmentally friendly and secure

MAIN FEATURES

- Temperature range: +4 °C to +100 °C
- APT.line™ preheating chamber technology
- Adjustable fan speed
- Electric cooling with Peltier module
- Controller with time-segment and real-time programming
- Display via LCD monitor
- Input via pushbutton/rotary knob
- Inner door made of tempered safety glass
- 2 stainless steel racks
- Units up to 115 liters are stackable

AVAILABLE SIZES

Model	Interior volume [L]	Online data sheets
KT 53	53	› go2binder.com/en-KT53
KT 115	102	› go2binder.com/en-KT115
KT 170	163	› go2binder.com/en-KT170

OPTIONAL EQUIPMENT

Access port with silicone plug

For introducing external measuring instruments. Large selection of different diameters and positions (left, right, or top)



Door lock

Lockable door handle prevents unauthorized access.



Services

You can access our installation, maintenance, calibration, validation, or warranty services by taking out a Maintenance Service Agreement or by simply getting in touch when you need us. More information is available in the accessories and services chapter.



BINDER INDIVIDUAL

Using a BINDER series production product as a basis, we develop individual solutions as a single unit or in small batches. All products are tested, certified, and supplied with a full functional guarantee and warranty. More information is available in the accessories and services chapter.



► All extras online go2binder.com/en-options

TECHNICAL DATA

Description	KT 53	KT 115	KT 170
Measures			
Interior volume [L]	53	102	163
Net weight of the unit (empty) [kg]	63	83	102
Permitted load [kg]	40	100	120
Load per rack [kg]	15	30	30
Wall clearance back [mm]	100	100	100
Wall clearance sidewise [mm]	240	240	240
Internal Dimensions			
Innenraum Breite [mm]	400	600	600
Innenraum Höhe [mm]	400	455	765
Innenraum Tiefe [mm]	334	355	355
Housing dimensions not incl. fittings and connections			
Width net [mm]	660	860	860
Height net [mm]	635	715	1025
Depth net [mm]	630	655	655
Performance Data Temperature			
Temperature range [°C]	4...100	4...100	4...100
Temperature variation at 37 °C [± K]	0.3	0.3	0.4
Temperature fluctuation at 37 °C [± K]	0.1	0.1	0.1
Recovery time after 30 seconds door open at 37 °C [min]	2	3	3
Electrical data			
Nominal power (version 120 V) [kW]	0.4	0.7	0.8
Nominal power (version 230 V) [kW]	0.4	0.7	0.8
Fixtures			
Number of shelves (std./max.)	2/5	2/6	2/10

ORDERING INFORMATION [Art. No.]

Further details: Go to www.binder-world.com > Search > Enter Article Number

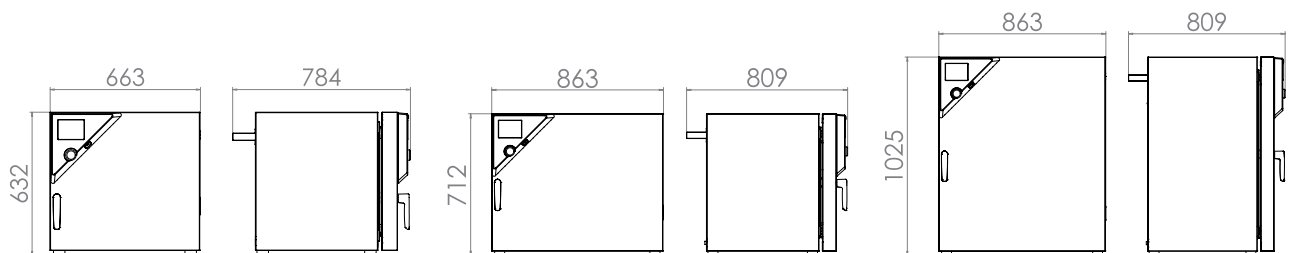
Voltage	Option model	KT 53	KT 115	KT 170
200...240 V 1~ 50/60 Hz	Standard	9020-0311	9020-0313	9020-0289
100...120 V 1~ 50/60 Hz	Standard	9020-0312	9020-0314	9020-0310

DIMENSIONS incl. fittings and connections [mm]

KT 53

KT 115

KT 170



ORDERING INFORMATION OPTIONS

Designation	Description	KT 53	KT 115	KT 170	Art. No.
Access port with silicone plug	left				
	10 mm	•	•	•	8012-1290
	30 mm	•	•	•	8012-1158
	50 mm	•	•	•	8012-1165
	right				
	10 mm	•	•	•	8012-1289
	30 mm	•	•	•	8012-1155
	50 mm	•	•	•	8012-1163
	top				
	10 mm	•	•	•	8012-1288
	30 mm	•	•	•	8012-1152
	50 mm	•	•	•	8012-1161
	100 mm	•	•	•	8012-1168
Alarm output, zero-voltage	for temperature (± 2 °C), accessible via 6-pin DIN socket (max. 24 V - 2.5 A), with audible signal that can be switched off	•	–	–	8012-0982
		–	•	–	8012-1001
		–	–	•	8012-1002
Calibration certificate, expanded	for temperature; for extending the measurement in center of chamber to include another test temperature	•	•	•	8012-1122
	for temperature, measurement in center of chamber at specified temperature	•	•	•	8012-1141
Calibration certificate, temperature	temperature measurement incl. certificate and 27 measuring points at specified temperature	•	•	•	8012-1600
	temperature measurement incl. certificate, 15- 18 measuring points at specified temperature	•	•	•	8012-1579
	temperature measurement incl. certificate, 9 measuring points at specified temperature	•	•	•	8012-1558
		•	•	•	8012-1558
Door lock	lockable door handle	•	•	•	8012-1668
Pt 100 temperature sensor	additional flexible Pt 100, interior, for displaying the temperature on the unit display	•	–	–	8012-0935
		–	•	–	8012-0993
		–	–	•	8012-0994
Shelf, reinforced	positioned at bottom level, max. load 45 kg, with additional attachment for operation of shaking device, stirring device or roller bottle system	•	–	–	8012-0818
		–	•	•	8012-0817

ORDERING INFORMATION ACCESSORIES

Designation	Description	KT 53	KT 115	KT 170	Art. No.
APT-COM™ 4 BASIC-Edition	for simple logging and documentation requirements with up to 5 networked units.				
	version 4, BASIC edition	•	•	•	9053-0039
APT-COM™ 4 GLP-Edition	for working under GLP-compliant conditions. Measured values are documented in a tamper-proof way in line with the requirements of FDA Regulation 21 CFR 11.				
	version 4, GLP edition	•	•	•	9053-0042
APT-COM™ 4 PROFESSIONAL-Edition	convenient unit and user management built on the BASIC edition. Suitable for networking up to 100 units.				
	version 4, PROFESSIONAL edition	•	•	•	9053-0040

Designation	Description	KT 53	KT 115	KT 170	Art. No.
LED light bars	Basic set consisting of 2 pieces, attachment material, control unit for max. 4 light strips, 100-240 V, 50/60 Hz				
	Basic set 300, length 30 cm	•	•	•	8012-1107
	Basic set 500, length 50 cm	–	•	•	8012-1108
	Expansion set consisting of 2 pieces, attachment material: clips. For expanding the basic set of light bars				
	Expansion set 300, length 30 cm	•	•	•	8012-1716
	Expansion set 500, length 50 cm	–	•	•	8012-1717
pH-neutral detergent	concentrated, for gentle remove of residual contaminants; 1 kg	•	•	•	8012-2250
Qualification documents	IQ/OQ documents – supporting documents for validation performed by customers, consisting of: IQ/OQ checklists incl. calibration guide and comprehensive unit documentation; parameters: temperature, CO ₂ , O ₂ , pressure, depending on unit				
	Digital in PDF format	•	•	•	7057-0001
	Hard copy inside folder	•	•	•	7007-0001
	IQ/OQ/PQ documents – supporting documents for validation performed by customers, according to customer requirements, PQ section added to qualification folder IQ/OQ; parameters: temperature, CO ₂ , O ₂ – or pressure, depending on unit				
	Digital in PDF format	•	•	•	7057-0005
	Hard copy inside folder	•	•	•	7007-0005
Rack	stainless steel	•	–	–	8012-2047
		–	•	•	8012-2049
Rack accessories	fasteners (1 set of 4) for additional security of racks	•	•	•	8012-2280
Rack, reinforced	stainless steel, with fasteners (1 set of 4)	•	–	–	8012-0829
		–	•	•	8012-0828
Rubber pads	set anti-slip feet	•	•	•	8012-2030
Shelf, perforated	Stainless steel	•	–	–	8012-2083
		–	•	–	8012-2165
Table on castors	stable cart, casters with locking brakes, dimensions: W 1,000 x D 800 x H 780 mm	•	•	•	9051-0018

Series KB ECO | with environmentally friendly thermoelectric cooling

Thanks to thermoelectric cooling technology with patented heat dissipation, the new KB ECO cooling incubator is one of the most energy-efficient cooling incubator on the market. The thermoelectric cooling technology means the KB ECO series is also very quiet during operation.



KB ECO 720 model

BENEFITS

- **Safe:** Unique condensate and dry-out protection for all operating conditions
- **Reliable:** Fail-safe operation due to intelligent thermoelectric tempering
- **Smart:** Temperatures programmable for intermitted incubation and refrigeration
- **Economical:** Minimum energy consumption thanks to optimized thermoelectric cooling

MAIN FEATURES

- Temperature range: 0 °C through +70 °C (max. 26 °C below the ambient temperature)
- APT.line™ preheating chamber technology
- Electric temperature control thanks to thermoelectric cooling module with innovative heat dissipation
- Inner door made of tempered safety glass
- Inner chamber made completely of stainless steel
- 2 stainless steel racks
- Adjustable condensate protection
- Access port with silicone plug Ø 30 mm
- LCD to display temperature along with additional information and alarms
- Internal data logger, measured values can be read out in open format via USB

AVAILABLE SIZES

Model	Interior volume [L]	Online data sheets
KB ECO 240	247	› https://go2binder.com/en-KB-ECO240
KB ECO 400	400	› https://go2binder.com/en-KB-ECO400
KB ECO 720	700	› https://go2binder.com/en-KB-ECO720
KB ECO 1020	1020	› https://go2binder.com/en-KB-ECO1020



Find all details online: go2binder.com/en-KBECO

OPTIONAL EQUIPMENT

LED light bar sets

LED light bars in three different lengths (30, 50, 90 cm) can be easily and variably positioned in the BINDER unit, including various attachment options and control unit. Additional light bars can be added as desired.



Access port with silicone plug

For introducing external measuring instruments. Large selection of different diameters and positions (left, right, or top)



Door lock

Lockable door handle prevents unauthorized access.



Services

You can access our installation, maintenance, calibration, validation, or warranty services by taking out a Maintenance Service Agreement or by simply getting in touch when you need us. More information is available in the accessories and services chapter.



BINDER INDIVIDUAL

Using a BINDER series production product as a basis, we develop individual solutions as a single unit or in small batches. All products are tested, certified, and supplied with a full functional guarantee and warranty. More information is available in the accessories and services chapter.



► All extras online go2binder.com/en-options

TECHNICAL DATA

Description	KB ECO 240	KB ECO 400	KB ECO 720	KB ECO 1020
Measures				
Interior volume [L]	247	400	700	1020
Net weight of the unit (empty) [kg]	152	196	272	327
Permitted load [kg]	100	120	150	150
Load per rack [kg]	30	30	45	45
Wall clearance back [mm]	100	100	100	100
Wall clearance sidewise [mm]	100	100	100	100
Internal Dimensions				
Innenraum Breite [mm]	650	650	973	973
Innenraum Höhe [mm]	785	1200	1250	1250
Innenraum Tiefe [mm]	485	390	576	836
Housing dimensions not incl. fittings and connections				
Width net [mm]	925	925	1250	1250
Height net [mm]	1461	1946	1925	1925
Depth net [mm]	796	796	885	1149
Performance Data Temperature				
Temperature range (max. 26 °C under ambient temperature) [°C]	–	–	0...70	0...70
Temperature range (max. 28 °C under ambient temperature) [°C]	0...70	0...70	–	–
Temperature variation at 37 °C [± K]	0.1	0.1	0.1	0.1
Temperature fluctuation at 37 °C [± K]	0.1	0.1	0.1	0.1
Recovery time after 30 seconds door open at 37 °C [min]	3	6	4	4
Electrical data				
Nominal power (version 120 V) [kW]	0.9	1.2	1.3	1.3
Nominal power (version 230 V) [kW]	0.9	1.2	1.3	1.3
Environment-specific data				
Energy consumption at 37 °C [Wh/h]	65	70	105	105
Fixtures				
Number of shelves (std./max.)	2/9	2/15	2/15	2/15

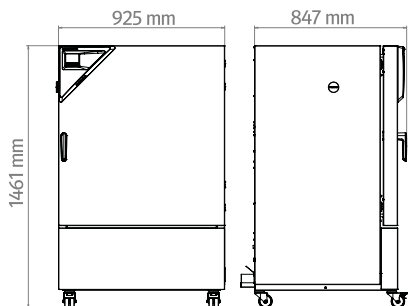
ORDERING INFORMATION [Art. No.]

Further details: Go to www.binder-world.com > Search > Enter Article Number

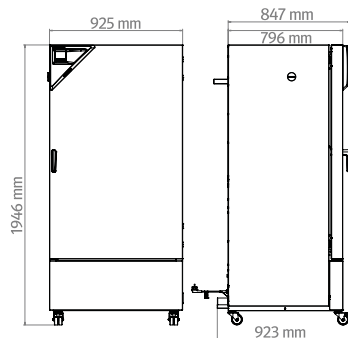
Voltage	Option model	KB ECO 240	KB ECO 400	KB ECO 720	KB ECO 1020
200...230 V 1~ 50/60 Hz	Standard	9020-0423	9020-0465	9020-0424	9020-0425
100...120 V 1~ 50/60 Hz	Standard	9020-0426	9020-0466	9020-0427	9020-0428

DIMENSIONS incl. fittings and connections [mm]

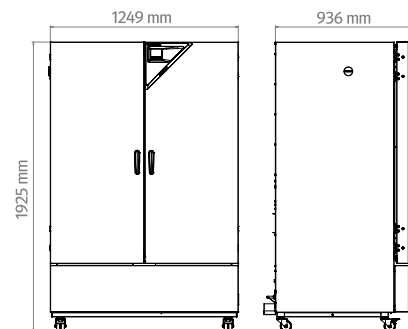
KB ECO 240



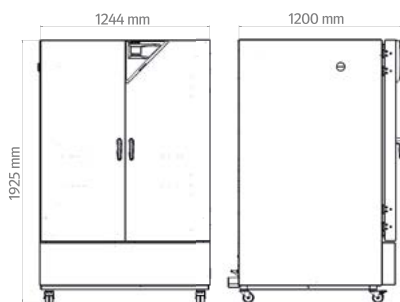
KB ECO 400



KB ECO 720



KB ECO 1020



ORDERING INFORMATION OPTIONS

Designation	Description	KB ECO 240	KB ECO 400	KB ECO 720	KB ECO 1020	Art. No.
Access port with silicone plug	left					
	30 mm	•	•	•	•	8012-2113
	50 mm	•	•	•	•	8012-2120
	100 mm	•	•	•	•	8012-2118
	right					
	30 mm	•	•	•	•	8012-2112
	50 mm	•	•	•	•	8012-2119
	100 mm	•	•	•	•	8012-2117
	top					
	30 mm	•	•	•	•	8012-2114
	50 mm	•	•	•	•	8012-2115
	100 mm	•	•	•	•	8012-2116
Calibration certificate, expanded	for temperature; for extending the measurement in center of chamber to include another test temperature	•	•	•	•	8012-2107
Calibration certificate, temperature	for temperature, measurement in center of chamber at specified temperature	•	•	•	•	8012-2106
	temperature measurement incl. certificate and 27 measuring points at specified temperature	•	•	•	•	8012-2110
	temperature measurement incl. certificate, 15- 18 measuring points at specified temperature	•	•	•	•	8012-2109
	temperature measurement incl. certificate, 9 measuring points at specified temperature	•	•	•	•	8012-2108

Designation	Description	KB ECO	KB ECO	KB ECO	KB ECO	Art. No.
		240	400	720	1020	
Door lock	lockable door handle	•	•	–	–	8012-2121
		–	–	•	•	8012-2122

ORDERING INFORMATION ACCESSORIES

Designation	Description	KB ECO	KB ECO	KB ECO	KB ECO	Art. No.
		240	400	720	1020	
APT-COM™ 4 BASIC-Edition	for simple logging and documentation requirements with up to 5 networked units.					
	version 4, BASIC edition	•	•	•	•	9053-0039
APT-COM™ 4 GLP-Edition	for working under GLP-compliant conditions. Measured values are documented in a tamper-proof way in line with the requirements of FDA Regulation 21 CFR 11.					
	version 4, GLP edition	•	•	•	•	9053-0042
APT-COM™ 4 PROFESSIONAL-Edition	convenient unit and user management built on the BASIC edition. Suitable for networking up to 100 units.					
	version 4, PROFESSIONAL edition	•	•	•	•	9053-0040
LED light bars	Basic set consisting of 2 pieces, attachment material, control unit for max. 4 light strips, 100-240 V, 50/60 Hz					
	Basic set 300, length 30 cm	•	•	•	•	8012-1107
	Basic set 500, length 50 cm	•	•	•	•	8012-1108
	Basic set 900, length 90 cm	–	–	•	•	8012-1109
	Expansion set consisting of 2 pieces, attachment material: clips. For expanding the basic set of light bars					
	Expansion set 300, length 30 cm	•	•	•	•	8012-1716
	Expansion set 500, length 50 cm	•	•	•	•	8012-1717
pH-neutral detergent	concentrated, for gentle remove of residual contaminants; 1 kg	•	•	•	•	8012-2250
Qualification documents	IQ/OQ documents – supporting documents for validation performed by customers, consisting of: IQ/OQ checklists incl. calibration guide and comprehensive unit documentation; parameters: temperature, CO ₂ , O ₂ , pressure, depending on unit					
	Digital in PDF format	•	•	•	•	7057-0001
	Hard copy inside folder	•	•	•	•	7007-0001
	IQ/OQ/PQ documents – supporting documents for validation performed by customers, according to customer requirements, PQ section added to qualification folder IQ/OQ; parameters: temperature, CO ₂ , O ₂ – or pressure, depending on unit					
	Digital in PDF format	•	•	•	•	7057-0005
	Hard copy inside folder	•	•	•	•	7007-0005
Rack	stainless steel	•	•	–	–	8012-2050
		–	–	•	–	8012-2051
		–	–	–	•	8012-2052
		•	•	–	–	8012-0638
Rack, reinforced	stainless steel, with fasteners (1 set of 4)	–	–	•	–	8012-0674
		–	–	–	•	8012-0968
		•	•	–	–	8012-2163
Shelf, perforated	Stainless steel	–	–	•	–	8012-2252
		–	–	–	•	8012-2254

BINDER products

CO₂ incubators

Incubators

Cooling incubators

Growth chambers

Ultralow temperature freezers

Drying and heating chambers

Safety drying chambers

Vacuum drying chambers

Constant climate chambers

Dynamic climate chambers

Battery test chambers

Walk-in-chambers

Multi Management Software



Never miss a product novelty -
Subscribe and keep up to speed with
the BINDER monthly newsletter.

Subscription

go2binder.com/en-newsletter-subscription



Best conditions for your success

BINDER GmbH
Tuttlingen, Germany

Tel +49 7462 2005 0
info@binder-world.com
www.binder-world.com

BINDER Asia Pacific (Hong Kong) Ltd.
Kowloon, Hong Kong, P.R. China

Tel +852 39070500
asia@binder-world.com

**BINDER Environmental Testing
Equipment (Shanghai) Co., Ltd.**
Shanghai, P.R.China

Tel +86 21 685 808 25
china@binder-world.com

BINDER Inc.
Bohemia, NY, USA

Tel +1 631 224 4340
usa@binder-world.com