

## Hydraulic Non-Shift Wedge Grips

Hydraulic non-shift wedge grips combine the benefits of a strong, consistent clamping force with an open-front, wedge design and are ideal for tensile testing plastics, metals, lumber, and composites.

Grip kits include upper and lower grips, file-teeth grip faces for flat specimens, an initial load prevention unit, and a hydraulic unit. The hydraulic unit comes with a grip operator switch box, uses an AC 3-phase 200 V, 2.5 W power source, has a maximum pressure of 21 MPa (214 kg/cm<sup>2</sup>, 3,046 psi), and requires cooling water, a supply of 10 L/min.

The initial test force prevention unit removes the initial force as it is created during clamping of the specimen. It is necessary for hydraulic non-shift wedge grips because the clamping force is strong.

When ordering, grip kits should be matched to both the maximum capacity of the universal tester and the maximum capacity of the grips.

Additional grip faces, such as for rods, wires, materials with high hardness, and composite materials, can be found in the segment Grip Faces for Hydraulic Non-Shift Wedge Grips.



### Relevant Materials

Plastics, Metals, Lumber, Composites

### Relevant Specimens

Plates, Rods, Wires

### Operation

Opening and closing of hydraulic non-shift wedge grips are controlled by a grip operator switch box. Sample mounting is simplified by the open-front design and because the grip face height stays the same during grip closing.

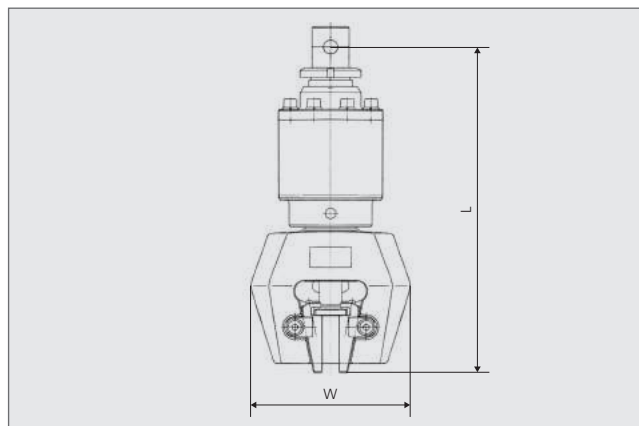


Possible to change grip face suitable for your sample

## Specification

Maximum Grip Capacity			Applicable Specimen Thickness Note 1	Grip Face Size		Temperature Range	Grip Size		Upper Grip Mass	Upper Grip Ø Fitting (Ø pin)	Lower Grip Ø Fitting (Ø pin)
				Width	Length		Width	Length			
kN	kgf	lbf	mm (in)	mm (in)	mm (in)	°C (°F)	mm (in)	mm (in)	kg (lb)	mm	mm
250	25,000	55,000	0 to 8.5 (0 to 0.33)	40 (1.6)	75 (3.0)	0 to 40 (32 to 104)	225 (8.9)	412 (16.2)	50 (110)	70 (35)	70 (35)
100	10,000	22,000	0 to 7 (0 to 0.28)	40 (1.6)	55 (2.2)	0 to 40 (32 to 104)	155 (6.1)	307 (12.1)	19 (42)	50 (17.5)	50 (17.5)
50	5,000	11,000	0 to 7 (0 to 0.28)	40 (1.6)	55 (2.2)	0 to 40 (32 to 104)	155 (6.1)	315 (12.4)	16 (35)	35 (13)	35 (13)
20	2,000	4,400	0 to 7 (0 to 0.28)	40 (1.6)	55 (2.2)	0 to 40 (32 to 104)	120 (4.7)	270 (10.6)	9 (20)	25 (10)	25 (10)

Note 1: The applicable specimen thickness is valid only for grip faces supplied with the grips and may change when other grip faces are used.



## Ordering Information

P/N	Description
<b>Hydraulic Non-Shift Wedge Grip Kits</b> Includes: upper and lower grips, file-teeth grip faces, an initial force prevention unit, and a hydraulic unit	
346-53862-12	250 kN hydraulic non-shift wedge grip kit for AG-X plus and AGS-X 300 kN models
346-53861-12	100 kN hydraulic non-shift wedge grip kit for AG-X plus and AGS-X 300 kN models
346-53860-12	50 kN hydraulic non-shift wedge grip kit for AG-X plus and AGS-X 300 kN models
346-53859-12	20 kN hydraulic non-shift wedge grip kit for AG-X plus and AGS-X 300 kN models
346-56861-13	100 kN hydraulic non-shift wedge grip kit for AG-X plus and AGS-X 100 kN models
346-53860-13	50 kN hydraulic non-shift wedge grip kit for AG-X plus and AGS-X 100 kN models
346-53859-13	20 kN hydraulic non-shift wedge grip kit for AG-X plus and AGS-X 100 kN models
346-53860-14	50 kN hydraulic non-shift wedge grip kit for AG-X plus and AGS-X 50 kN models
346-53859-14	20 kN hydraulic non-shift wedge grip kit for AG-X plus and AGS-X 50 kN models
346-53859-15	20 kN hydraulic non-shift wedge grip kit for AG-X plus and AGS-X 20 kN models

## Grip Face

The file teeth grip faces are standard accessories of all grips. If you need the other type of grips face, please refer to the document "Grip face for Hydraulic Non-shift Wedge Grips".



First Edition: December, 2014



Shimadzu Corporation  
[www.shimadzu.com/an/](http://www.shimadzu.com/an/)

Company names, product/service names and logos used in this publication are trademarks and trade names of Shimadzu Corporation or its affiliates, whether or not they are used with trademark symbol "TM" or "®". Third-party trademarks and trade names may be used in this publication to refer to either the entities or their products/services. Shimadzu disclaims any proprietary interest in trademarks and trade names other than its own.

For Research Use Only. Not for use in diagnostic procedures.  
The contents of this publication are provided to you "as is" without warranty of any kind, and are subject to change without notice. Shimadzu does not assume any responsibility or liability for any damage, whether direct or indirect, relating to the use of this publication.

© Shimadzu Corporation, 2014